

## Dräger DrugTest® 5000 Analysis system for detecting drugs

No pipetting, no dripping, no timing:  
Not only sampling is done quickly and easily with the Dräger DrugTest® 5000. Directly afterwards, the sample also can be evaluated automatically – for reliable results on the spot.



### SAMPLING AND ANALYSIS IN ONE SYSTEM

The drug analysis system Dräger DrugTest 5000 consists of the sampling system Dräger DrugTest 5000 Test Kit and of the analyzer Dräger DrugTest 5000 Analyzer. This provides you with anything you need for a first assessment on the spot.

### DRÄGER DRUGTEST® 5000 TEST KIT: EASY AND FAST SALIVA SAMPLE COLLECTION

#### Ready for immediate use, if necessary

The test kit provides you with a ready-for-use sampling system. You want to check a suspect person? Just remove the cover and hand the test cassette over to the test person.

#### Hygienic and painless: collection without blood samples

The test person moves the top part of the collector briefly back and forth between cheek and gums for one to four minutes. Then he gives you back the test cassette – and you will not come in touch with the saliva sample.

#### Blue means: sample collection finished

The end of sample collection is indicated automatically: If the collector has collected enough saliva, the indicator becomes blue. Afterwards you insert the test cassette and cartridge directly into the Dräger DrugTest 5000 Analyzer for evaluation.

### OTHER ADVANTAGES OF THE DRÄGER DRUGTEST® 5000 TEST KIT:

- easy handling – with or without gloves
- suitable for left-handed and right-handed persons
- extremely low detection limit for THC as the main active ingredient of cannabis
- different configurations available (depending on design, several substances can be detected at the same time)
- can be stored in original package without any deterioration at up to 30 °C
- can be used at temperatures between 4 °C and 40 °C



**Dräger DrugTest® 5000 –**  
take a sample and analyze it immediately



**Dräger DrugTest® 5000 Test Kit:**  
uncomplicated, fast, reliable and secure drug tests.

## DRÄGER DRUGTEST® 5000 ANALYZER



### DRÄGER DRUGTEST® 5000 ANALYZER: IMMEDIATE EVALUATION OF SAMPLES

#### **Insert test cassette and cartridge, start evaluation, ready**

The saliva sample can be evaluated immediately after sample collection. Just insert test cassette and cartridge into the analyzer – the evaluation will start directly.

#### **Easy and safe operation – even under adverse conditions**

Even when it becomes hectic: you control the analyzer with only three keys. The operation is menu-driven. Just follow the plain text instructions.

#### **Quick and comfortable: results after a few minutes**

Once the device is put into operation, the analysis will run automatically. This keeps your mind clear and your hands free for attending to your test persons. After only a few minutes the result will be displayed.

#### **Easy-to-read colour display**

The colour display is illuminated. Thus, you stay on top of the situation even under reduced visibility conditions. The display text can be read without any problems even from some distance or from an angle.

#### **Clear measuring results without interpretation**

The measuring result also is displayed in full sentences. Therefore, misinterpretations do not occur.



D-2087-2011

Dräger Drugtest 5000 and accessories in carrying bag



ST-8404-2006

Dräger Mobile Printer



ST-3481-2003

Compact keyboard



ST-13211-2007

Transport case

### Evaluating samples wherever the situation demands

The analyzer is operated with firmly installed, rechargeable batteries. This makes you independent from external power supply and allows you to start the analysis immediately and anywhere.

### Storing 500 measuring results and managing them easily

It stores the last 500 measuring results including date and time. You can enter further measurement details via keyboard or barcode reader. You can print the results with the Dräger Mobile Printer directly on the spot. To document the data, you can transmit them on the PC via USB.

### 4.5 kg lightweight for transportation

The analyzer is easy to carry. For transporting the device and its accessories easily and safely, Dräger provides a matching carrying bag or a robust transport case.

### OTHER ADVANTAGES OF THE DRÄGER DRUGTEST® 5000 ANALYZER:

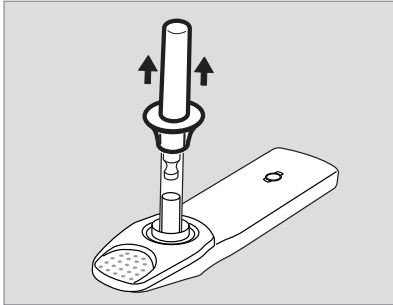
- integrated self-test function: no semi-annual calibration necessary
- a variety of accessories (e. g. carrying bag, battery charger or compact keyboard)

### THE FOLLOWING EXAMPLES OF DRUGS AND PHARMACEUTICALS CAN BE DETECTED WITH DRÄGER DRUGTEST® 5000:

- Amphetamines
- Benzodiazepines
- Delta-9-tetrahydrocannabinol
- Cocaine
- Methamphetamines
- Opiates
- Methadone

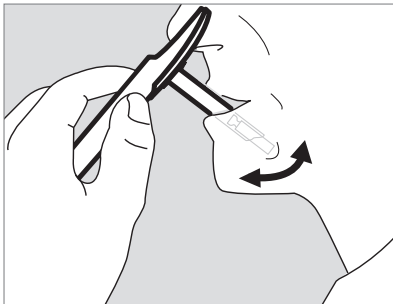
## DRÄGER DRUGTEST® 5000

ST-919-2008



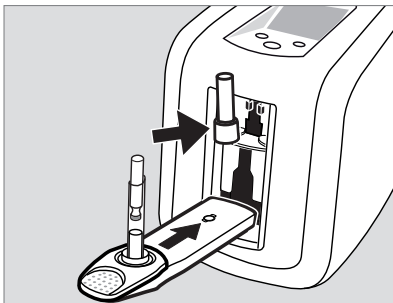
- Remove the cover
- Pass test cassette on to test subject

D-4780-2011



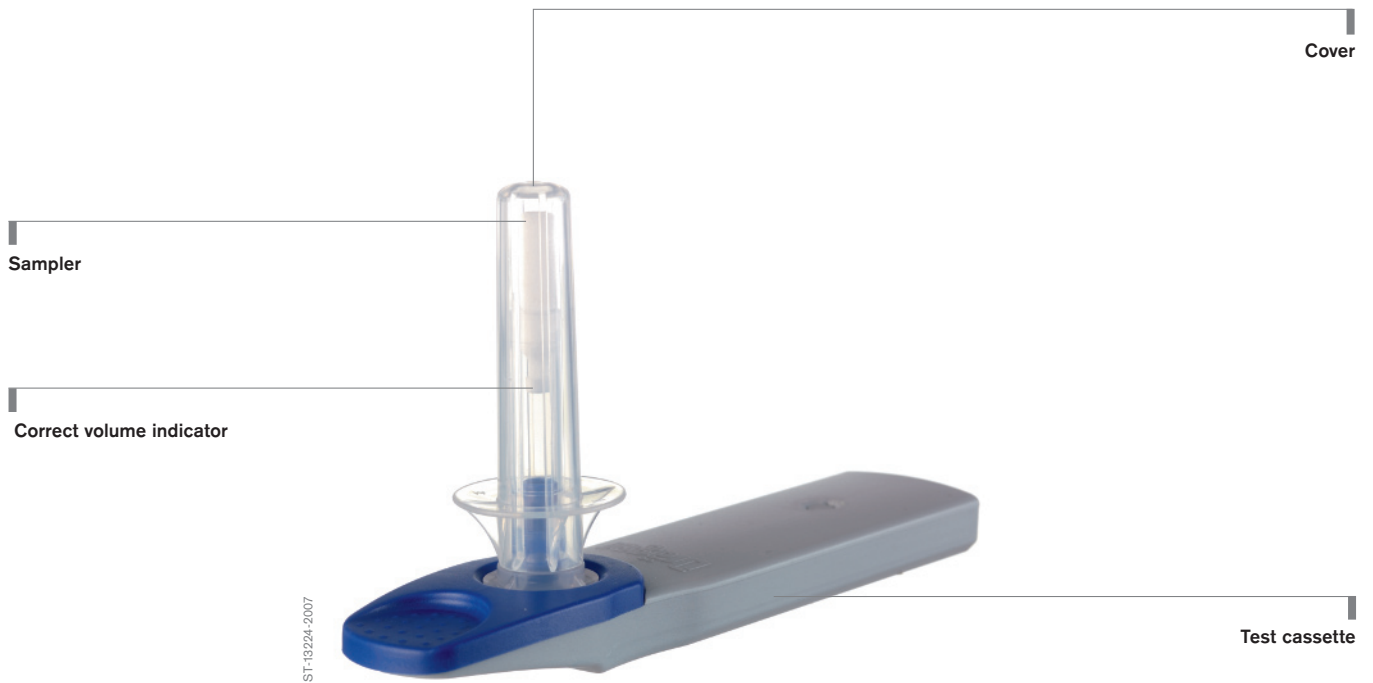
- Test subject moves the collector back and forth in his mouth until the indicator becomes blue

D-4779-2011



- Insert test cassette and cartridge into the analyzer. The analysis will start automatically
- After a few minutes, the result will be displayed

## DRÄGER DRUGTEST® 5000 TEST KITS

**Dräger SSK 5000:  
Detecting drugs on surfaces or in  
substances**

You would like to evaluate a sample from, for example, a steering wheel or a bank note right on the spot? Take a sample with the sample collector Dräger SSK 5000 and just transfer it onto the sample collector of the Dräger DrugTest 5000 Test Kit. Then, you can analyze the sample with the Dräger DrugTest 5000 Analyzer.

## TECHNICAL DATA

Operating voltage	12 V direct voltage (via supplied power pack)
Power input	normally 3 A
Dimensions (W*H*D)	200 * 260 * 250 mm
Weight	4.5 kg
Operating range	Operation: 4 °C to 40 °C Storage / transportation: -20 °C to +60 °C relative humidity 5 to 95 % (non-condensing)
Ports	optical for printer, PS/2, USB Slave
Time of measurement	depending on used test kit (typically < 9 minutes)
Storage capacity	500 records or measurements

## ORDERING INFORMATION

	Packaging unit	Order No.
Dräger DrugTest 5000 Analyzer	1 analyzer incl. power pack	83 19 900
Dräger DrugTest 5000 Test Kit COC-OPI-BENZO-THC-AMP-MAMP*	20 pieces	83 19 830
Dräger DrugTest 5000 Test Kit COC-OPI-BENZO-THC-AMP-MTD*	20 pieces	83 20 930
Dräger DrugTest 5000 Test Kit COC-OPI-THC-AMP-MAMP*	20 pieces	83 21 280
Dräger DrugTest 5000 Test Kit COC-OPI*	20 pieces	83 19 990
Dräger DrugTest 5000 Test Kit COC-OPI-BENZO-THC-AMP-MAMP-MTD*	20 pieces	83 22 388
Dräger SSK 5000	20 pieces	83 20 490
Compact keyboard, German key assignment ("QWERTZ")	1	83 15 095
Compact keyboard, English key assignment ("QWERTY")	1	83 15 497
Compact keyboard, French key assignment ("AZERTY")	1	83 15 142
Barcode reader	1	AG 02 491
Dräger Mobile Printer	1	83 19 310
Carrying bag for DrugTest 5000 Analyzer	1	83 19 960
Carrying case for DrugTest 5000 Analyzer and accessories	1	83 22 675
Transport case for DrugTest 5000 Analyzer	1	83 19 925
12V cable for connection with 12V cigarette lighter socket	1	83 12 166

\*COC: cocaine - \*OPI: opiates - \*BENZO: benzodiazepines - \*THC: cannabis - \*AMP: amphetamine - \*MAMP: methamphetamines - \*MTD: methadone

### HEADQUARTERS

Dräger Safety AG & Co. KGaA  
Revalstrasse 1  
23560 Lübeck, Germany  
[www.draeger.com](http://www.draeger.com)

### SUBSIDIARIES

#### AUSTRALIA

Draeger Safety Pacific Pty. Ltd.  
Acess Corporate Park  
Unit 99, 45 Gilby Road  
Mt. Waverley Vic 3149  
Tel +61 3 92 65 50 00  
Fax +61 3 92 65 50 95

#### CANADA

Draeger Safety Canada Ltd.  
7555 Danbro Crescent  
Mississauga, Ontario L5N 6P9  
Tel +1 905 821 8988  
Fax +1 905 821 2565

#### P. R. CHINA

Beijing Fortune Draeger Safety  
Equipment Co., Ltd.  
A22 Yu An Rd, B Area,  
Tianzhu Airport Industrial Zone,  
Shunyi District, Beijing 101300  
Tel +86 10 80 49 80 00  
Fax +86 10 80 49 80 05

### FRANCE

Dräger Safety France SAS  
3c route de la Fédération,  
BP 80141  
67025 Strasbourg Cedex 1  
Tel +33 3 88 40 59 29  
Fax +33 3 88 40 76 67

### MEXICO

Draeger Safety S.A. de C.V.  
Av. Peñuelas No. 5 Bodega No. 37  
Fraccionamiento Industrial  
San Pedrito  
Querétaro, Qro México  
Tel +52 442 246-1113  
Fax +52 442 246-1114

### NETHERLANDS

Dräger Safety Nederland B.V.  
Edisonstraat 53  
2700 AH Zoetermeer  
Tel +31 79 344 46 66  
Fax +31 79 344 47 90

### REP. OF SOUTH AFRICA

Dräger South Africa (Pty) Ltd.  
P.O.Box 68601  
Bryanston 2021  
Tel +27 11 465 99 59  
Fax +27 11 465 69 53

### SINGAPORE

Draeger Safety Asia Pte Ltd  
67 Ayer Rajah Crescent  
#06-03  
Singapore 139950  
Tel +65 68 72 92 88  
Fax +65 65 12 19 08

### SPAIN

Dräger Safety Hispania S.A.  
Calle Xaudaró 5  
28034 Madrid  
Tel +34 91 728 34 00  
Fax +34 91 729 48 99

### UNITED KINGDOM

Draeger Safety UK Ltd.  
Blyth Riverside Business Park  
Blyth, Northumberland  
NE24 4RG  
Tel +44 1670 352-891  
Fax +44 1670 356-266

### USA

Draeger Safety, Inc.  
101 Technology Drive  
Pittsburgh, PA 15275  
Tel +1 412 787 8383  
Fax +1 412 787 2207